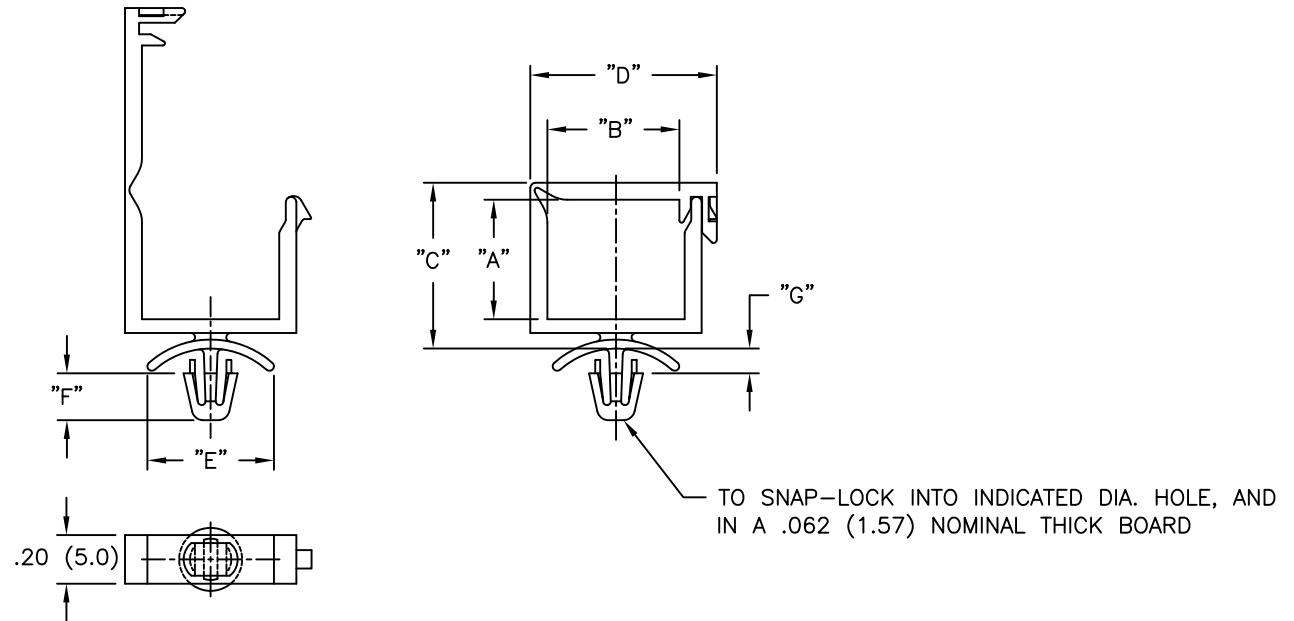


PART NO.	DIM. "A"	DIM. "B"	DIM. "C"	DIM. "D"	DIM. "E"	DIM. "F"	DIM. "G"	HOLE DIA. ±.003 (±0.08)
WSLT-3.5-2-1-01	.14 (3.4)	.53 (13.5)	.35 (8.9)	.77 (19.6)	.38 (9.5)	.118 (3.0)	.10 (2.5)	.138 (3.50)
WSLT-02-1-01	.19 (4.8)	.42 (10.7)	.42 (10.6)	.66 (16.8)	.56 (14.3)	7/32 (5.6)	.11 (2.8)	.187 (4.75)
WSLT-01A-01	.35 (8.8)	.64 (16.3)	.57 (14.6)	.88 (22.4)				
WSLT-01-2-01	.39 (10.0)	.77 (19.6)	.62 (15.8)	.95 (24.1)				
WSLT-02A-01	.55 (14.1)	1.07 (27.3)	.77 (19.6)					
WSLT-03-2-01	.85 (21.7)							
WSLT-03-3-01								



NOTES:

- MATERIAL: NYLON 6/6 (RMS-01), UL94 V-2.  
FLAME RETARDANT, NYLON (RMS-19), UL94 V-0,  
AVAILABLE BY SPECIAL ORDER ONLY.  
SPECIFIED MATERIALS COMPLY WITH STANDARD SS-00259-1.
- COLOR: NATURAL.
- ALL DIMENSIONS ARE REFERENCE.

TITLE: WIRE SADDLE-LOCKING TOP		DWG IN IN (MM)	FINAL	PRINT TYPE
TOLERANCES UNLESS NOTED .XX=±.010 .XXX=±.005 FRAC=±1/64 ANG=±1°	FILE # WSLT	DWN: SM	APP:	PART # SEE TABLE
	MAT'L: SEE NOTES	DT: 03/06/02	DT:	
	RE: RICHCO, INC.	RICHCO INC. PO BOX 804238, CHICAGO, 60680 (773) 539-4060		CA
1	SEE ECN #853 FOR CHANGES	SM	09.20.04	
-	SEE ENGINEERING FOR REV. A-H	-	-	
REV	DESCRIPTION	ENGR	DATE	